

# Metflow<sup>®</sup>

Screwing without drilling



Nedschroef now makes it possible to connect sheet metal using a retightening screw. This is done without drilling a hole or thread, without compromising on quality. A specially-designed tip form and the Nedtite ES thread-forming solution neatly and durably connect different alloys, materials and sheet metal in various degrees of hardness. For a higher overload torque, optimized thread is used at the last pitches near the head. The point is optimized for a low piercing torque and penetrates everything from lightweight metal to steel sheets measuring up to 1.8 mm.

## FIELD OF APPLICATION

This solution is ideal for high-profile automotive manufacturers' 'body in white' applications. Different sheet metal types, such as a high-strength steel alloy and an aluminum alloy or composite layer, can be joined in the floor group of the car, for example. Nedschroef's Altena

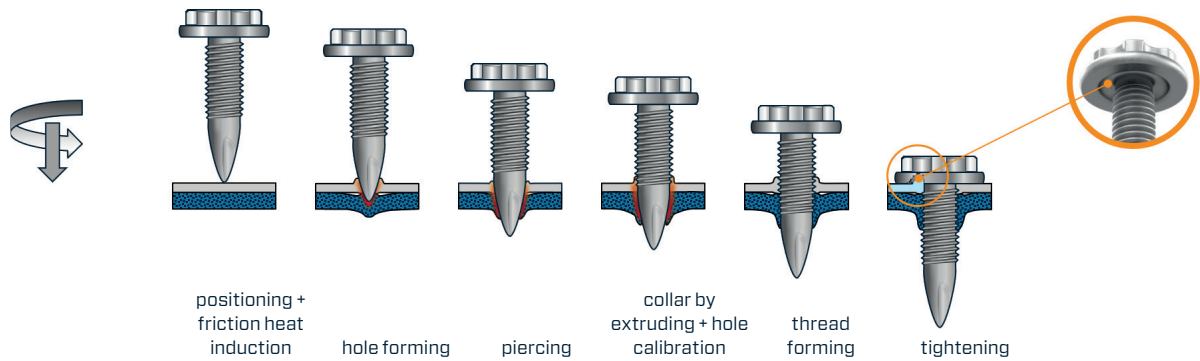
laboratory can even optimize the connection with customers' original sheet metals and we can also optimize the coating of the screw for the post-fitting process.

*Scan the QR code for viewing the principle of this metFlow technology:*



Besides a broad selection of standard solutions, Nedschroef offers the integrated production, design and systems engineering capacity required to create bespoke solutions for even the most specific, demanding requirements at an attractive price point. Our engineers are ready to work together with you to create the ideal solution for your own application...

## THE SELF-PIERCING AND THREADFORMING SCREW



*By piercing its own hole, making a channel and forming its own thread, Nedtite ES creates a low hole and thread forming torque and a very high overload torque for fixing.*

### DIMENSIONS

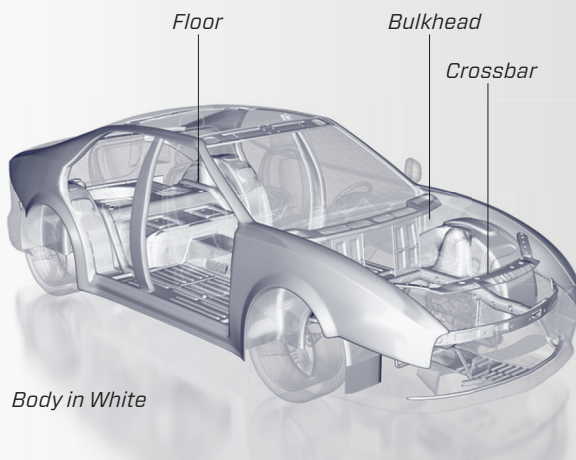
- Generally used with a 4mm - 6mm thread diameter.
- Screw length without head is normally 14mm - 22mm, according to sheet metal thicknesses.
- All normal materials for screws can be used, depending on the application and customer.

### PROPERTIES

- Connect sheet metal with retightening screw
- Penetrates steel sheets up to 1.8 mm up to 1000MPa tensile strength, aluminum sheets up to 4,5mm (others on demand)
- Optimized thread at last pitches
- High-profile automotive applications
- 'Body in white' and electromobility applications
- For different alloys, materials, sheet metals
- Very low thread forming torque
- High overload torque

### ADVANTAGES

- No need for drilling!
- Neat connections
- Extremely reliable and durable
- Optimised connection with customers sheet metals
- Coating can be optimised for post-fitting
- Very fast connecting system



Body in White

Contact us at: [metflow@nedschroef.com](mailto:metflow@nedschroef.com)

Follow us:



*For more than 125 years, Koninklijke Nedschroef Holding B.V. has developed, manufactured and supplied fasteners and special parts for the automotive industry. In addition, we design and produce superior forming machines and tools for the metal forming industry. Nedschroef delivers world-class services and innovative, cost-effective solutions. Our expanding global operations offer everything from product design and development to delivery, installation and service, supported by a vast global partner network. 2,300 people at 20 facilities, including eight centres of competence, in 10 countries worldwide are committed to our Full Service Provision concept.*